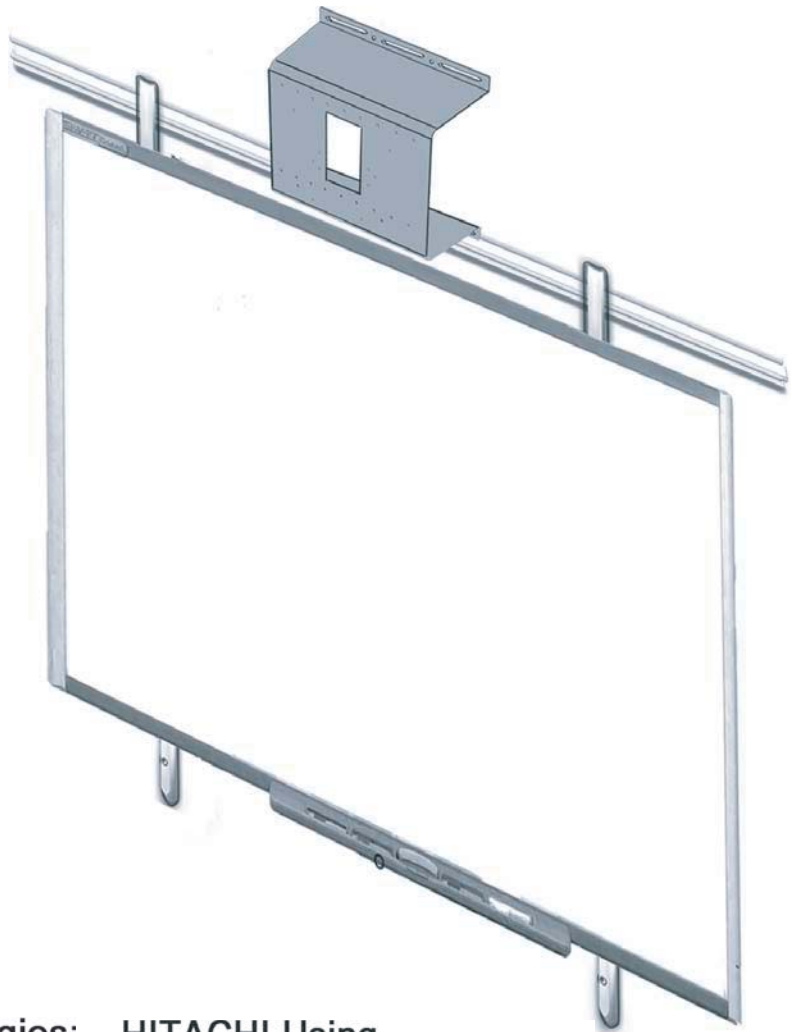


KOH Universal Projector Mounting Plate - **PMP**

Installation Instructions

KOH Universal Projector Mount Plate (PMP)

extends the projector 4 inches out from the wall to match the projector with the Smartboard when it is mounted on the KOH Rails System.



EPSON Using
#ELPMB28 arm :
PowerLite series
470
475W
480
Brightlink series
485W
475WI
485WI
1410WI

SMART Technologies:
UF55 "i3"
UX60 "iX"
UF65 "i4"
UF70 "i6"
UF75 "i5"
UX80 "iX2"

HITACHI Using
HAS-K250/252, "UST1" arm:
ED-A220N
CP-A220N
CP-AW252WN
CP-AW250N
CP-A302WN

*Other projectors can also be fitted with minor customization of holes.

For more info:

K.O.H. Design, Inc.

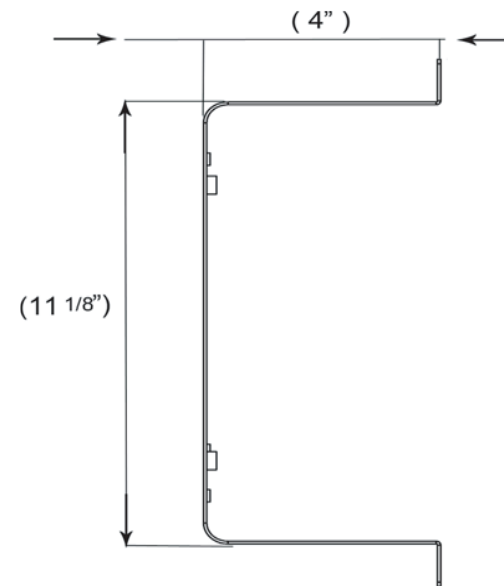
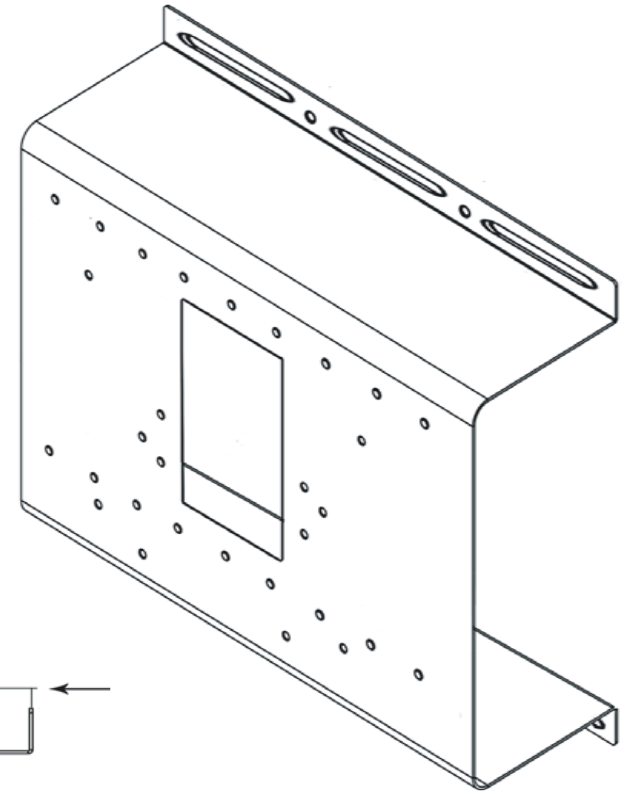
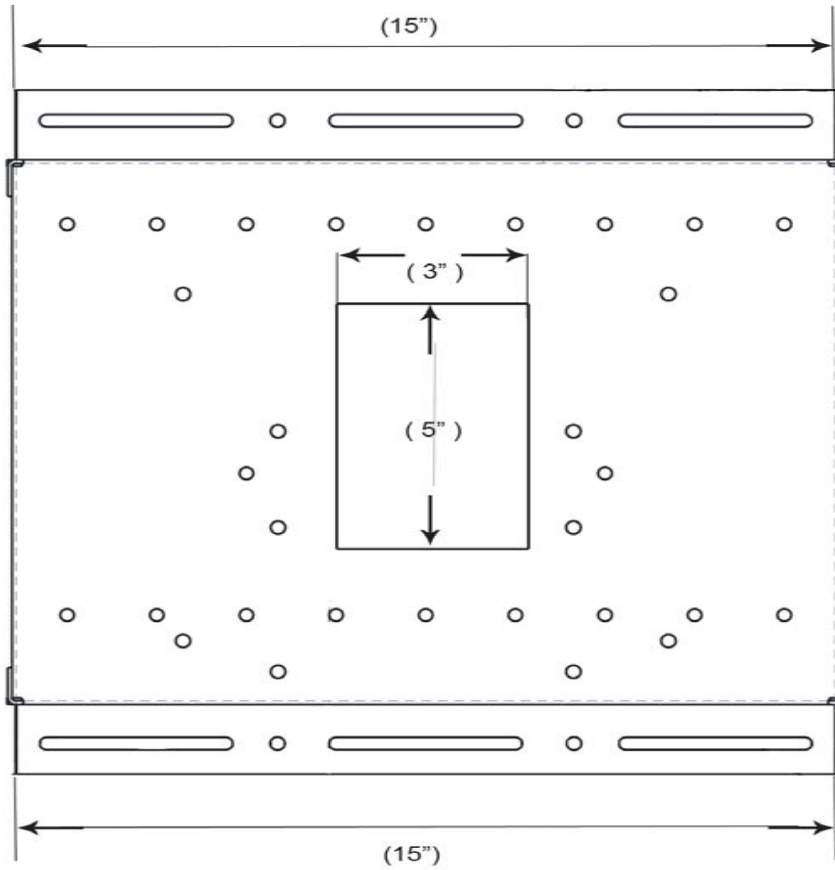
540 Barnum Avenue
Bridgeport, CT 06608
Tel: 203 - 336-1334
Fax: 203 - 335 -9361

WWW.KOHDESIGN.COM



INFO@KOHDESIGN.COM

KOH Universal Projector Mounting Plate - PMP



For more info:
K.O.H. Design, Inc.
540 Barnum Avenue
Bridgeport, CT 06608
Tel: 203 - 336-1334
Fax: 203 - 335 -9361
Email: info@kohdesign.com